



Our planned servicing and maintenance contracts for your equipment can help avoid costly unplanned factory shutdowns due to critical equipment failure.

**Other products and services**

**Air filtration**

- Activated Carbon
- Air Conditioning Filters
- Bag Filters
- Clean Rooms
- Gas Filtration
- HEPA Filters,
- Intake Filters

**Air movement**

- Blowers & Gas Boosters
- Dampers & Flow Control
- Fibreglass Fans
- Industrial Fans
- Process Fans
- Side Channel Blowers

**Environmental control**

- Bag Filters
- Cartridge Filters
- Cooling Towers
- Cyclones
- De-Humidifiers
- Dust Collectors
- Evaporative Cooling Systems
- Fluid Strainers
- Heat Exchangers
- Heat Recovery Systems
- Odour Control
- Scrubbers

**Maintenance & Servicing**

- All products

**Measurement & instrumentation**

- Flow & Pressure Instruments
- Hand held pressure measurement

**Instruments**

- IR Temperature Instruments

**Design & consulting services**

- Specifically in relation to our expertise in air movement, filtration, humidity control, dust collection

# Compact Pulsejet Systems



Our compact pulsejet dust collection systems provide an excellent solution for industrial applications where space is at a premium and where equipment needs to be relocatable.

**Please contact our Wellington sales office for these products:**

3A Broken Hill Rd, Porirua, Wellington 5022, New Zealand

Ph: +64 4 232 8080

wellington.sales@windsor.co.nz

## Compact Pulsejet Systems - PT Series



### Applications

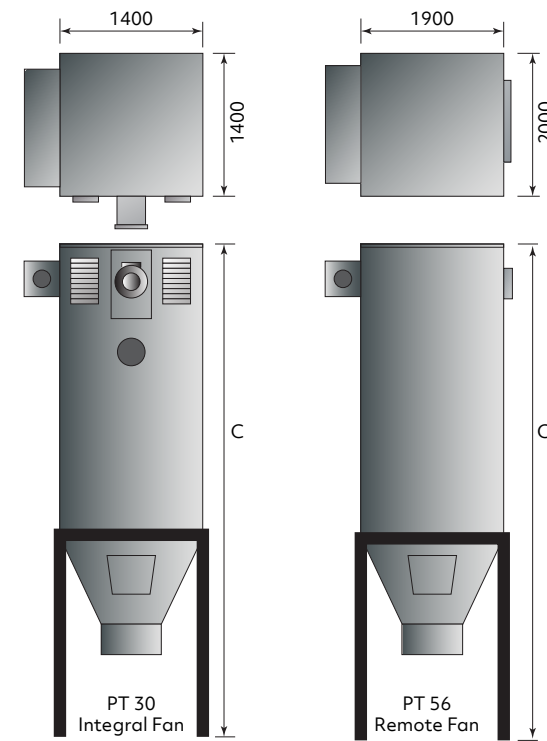
Our extensive experience in the timber industry is well known, particularly with regard to the bulk collection of wood processing waste.

In addition we have installed numerous filtration systems for use with cement, pharmaceuticals, dairy products, grain & seed residues, sanding, grinding & polishing and many other applications.

These compact pulsejet dust collectors are available for nearly every industry requiring dust or particle collection.

They feature:

- Low emission levels which comply with local regulations
- Low fan power requirements
- Quick release long life filter socks, removable from clean air side, reduce ongoing maintenance costs
- Galvanised steel construction eliminates coating damage during installation
- Sonic nozzle pulse cleaning system provides efficient and economical use of compressed air
- Easily relocatable



Explosion venting available as an extra if required

### Technical details

Type	Fan Type	Height C mm	Approx Weight kg	Filter Cloth Area m <sup>2</sup>	Max Airflow m <sup>3</sup> /s
PT30-1500	I, R	4680	840	16.7	1.5
PT30-2000	I, R	5880	1080	22.1	1.5
PT30-3000	I, R	5880	1200	33.5	1.5
PT56-3000	R	7435	2500	63.3	2.6

### Construction

The filter panelling is of heavy gauge hot dip galvanised sheet which eliminates additional finishing. A final paint finish may be able to be supplied at extra cost depending on the type of finish required.

The PT30 units are supplied with an internal fan for light duty applications. For more stringent duty requirements a remotely mounted fan is supplied.

### Filter element

We provide the correct filter fabric to meet your specific requirements.

All filter socks are fitted with snaptex cuffs to facilitate very easy removal and replacement.

The socks are supported on the inside by heavy gauge wire cages.

## Compact Integrated Series - AF Series



### Applications

The AF series integrated dust collectors are suitable for smaller manufacturing applications where nuisance dust needs prompt removal, and equipment needs to be easily portable.

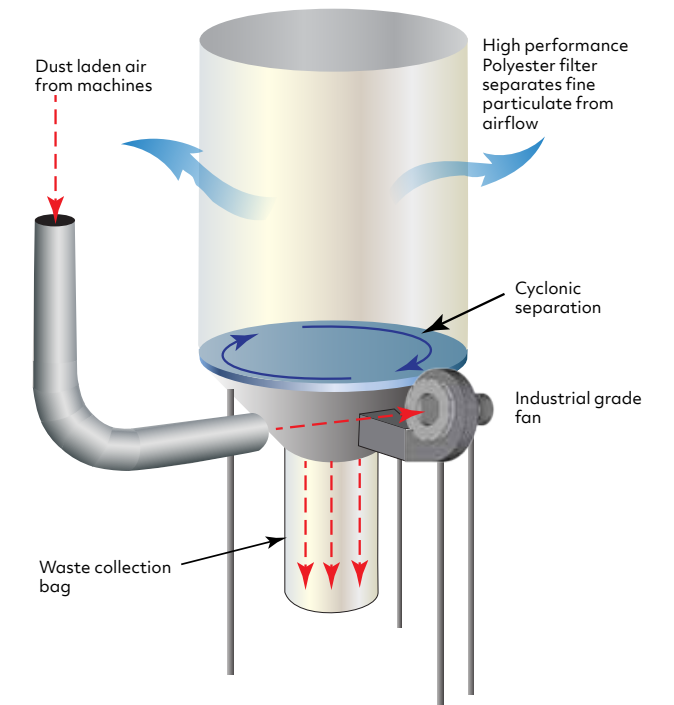
The AF2000 will typically handle 3 off 150mm diameter connections or 2 x 150mm and 2 x 100mm.

The smaller AF1000 unit will handle 1 x 150mm connection, or 2 x 125mm or 3 x 100mm.

### Technical details

Type	Duct dia mm	Motor Size	Phase	Filter Cloth Area m <sup>2</sup>	Max Airflow m <sup>3</sup> /s
AF1000	150	1.1kW	1	7 *	0.42
AF2000	200	2.2kW	3	12.4 *	0.85

\* Based on 2 metre and 3 metre high filter bags respectively.



### Specifications

Collection bag : 200 Litres

Filter cloth : FM11 SDR polyester needle felt

Filter cloth area :

AF1000 - 7m<sup>2</sup> based on 2m high bag

AF2000 - 12.4m<sup>2</sup> based on 3m high bag

### Important Note:

Wherever practical it is recommended that the dust collector is located away from the main working area and that the ducting is correctly sized. (We can advise on this)

We recommend solid smooth interior galvanised steel ducting, although flexible can be used but can reduce suction at the machines due to the internal convolutions.

We also recommend that all machine offtakes are fitted with slide gate dampers which can be closed when any particular machine is not in use.

